








LED LIGHTING  
PERFORMANCE RANGE






 **Verbatim**<sup>®</sup>  
Technology you can trust


Mitsubishi Chemical Holdings Group

|  | Part Number | Actual Wattage (W) | Equivalent Wattage (W) | Luminous flux (lm) | Luminous efficiency (lm/W) | Beam angle (°) | CCT (K) | Power Factor | Lifetime (hours) | Dimmable | Energy Efficiency Class |
|--|-------------|--------------------|------------------------|--------------------|----------------------------|----------------|---------|--------------|------------------|----------|-------------------------|
| <b>Classic A</b> <b>Socket: E27</b> <b>Voltage: 220-240V</b> <b>CRI*: ≥80</b>                                |             |                    |                        |                    |                            |                |         |              |                  |          |                         |
|                              | 52019       | 8.8                | 38                     | 440                | 50                         | 170            | 2700    | ≥0.80        | 25,000           | Yes      | A                       |
|  <b>INDOOR &amp; OUTDOOR</b> | 52220       | 7.5                | 41                     | 480                | 64                         | 220            | 2700    | ≥0.75        | 40,000           | Yes      | A                       |
|  | IP65        |                    |                        |                    |                            |                |         |              |                  |          |                         |
|                              | 52225       | 7.7                | 42                     | 500                | 65                         | 220            | 2700    | ≥0.85        | 40,000           | Yes      | A+                      |
|  | 52227       | 10.5               | 60                     | 806                | 77                         | 240            |         | ≥0.90        | 25,000           |          |                         |
|                              | 52244       | 14                 | 71                     | 1000               | 71                         | 270            | 2700    | ≥0.80        | 30,000           | Yes      | A                       |

|  | Part Number | Actual Wattage (W) | Equivalent Wattage (W) | Luminous flux (lm) | Luminous efficiency (lm/W) | Beam angle (°) | CCT (K) | Power Factor | Lifetime (hours) | Dimmable | Energy Efficiency Class |
|--|-------------|--------------------|------------------------|--------------------|----------------------------|----------------|---------|--------------|------------------|----------|-------------------------|
| <b>Classic A</b> <b>Socket: B22</b> <b>Voltage: 220-240V</b> <b>CRI*: ≥80</b>    |             |                    |                        |                    |                            |                |         |              |                  |          |                         |
|  | 52226       | 7.7                | 42                     | 500                | 65                         | 220            | 2700    | ≥0.85        | 40,000           | Yes      | A+                      |
|  | 52228       | 10.5               | 60                     | 806                | 77                         | 240            |         | ≥0.90        | 25,000           |          |                         |
|  | 52300       | 14                 | 71                     | 1000               | 71                         | 270            | 2700    | ≥0.80        | 30,000           | Yes      | A                       |


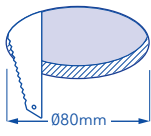
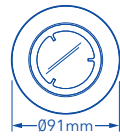
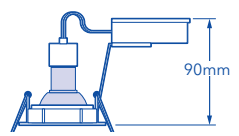

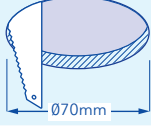
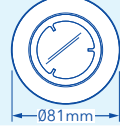
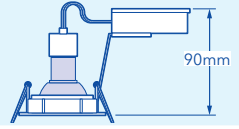
|  | Part Number | Actual Wattage (W) | Equivalent Wattage (W) | Luminous flux (lm) | Luminous efficiency (lm/W) | Beam angle (°) | CCT (K) | Power Factor | Lifetime (hours) | Dimmable | Energy Efficiency Class |
|--|-------------|--------------------|------------------------|--------------------|----------------------------|----------------|---------|--------------|------------------|----------|-------------------------|
| <b>Candle Classic B</b> <b>Socket: E14</b> <b>Voltage: 220-240V</b> <b>CRI*: ≥80</b> |             |                    |                        |                    |                            |                |         |              |                  |          |                         |
|    | 52047       | 3.7                | 16                     | 150                | 41                         | -              | 2700    | ≥0.85        | 15,000           | Yes      | A                       |

|   | Part Number | Actual Wattage (W) | Equivalent Wattage (W) | Functional Lumen 90° Cone**(lm) | Lumen 120° Cone (lm) | Luminous efficiency (lm/W) | Luminous intensity (cd) | Beam angle (°) | CCT (K) | Power Factor | Lifetime (hours) | Dimmable | Energy Efficiency Class |
|---|-------------|--------------------|------------------------|---------------------------------|----------------------|----------------------------|-------------------------|----------------|---------|--------------|------------------|----------|-------------------------|
| <b>PAR16</b> <b>Socket: GU10</b> <b>Voltage: 220-240V</b> <b>CRI*: ≥80 and ≥95</b>                        |             |                    |                        |                                 |                      |                            |                         |                |         |              |                  |          |                         |
|                         | 52045       | 6.5                | 35                     | 230                             | 240                  | 35                         | 580                     | 35             | 2700    | ≥0.90        | 35,000           | Yes      | A                       |
|   | 52213       | 6.5                | 36                     | 240                             | 250                  | 37                         | 600                     | 35             | 3000    |              |                  |          |                         |
|   | 52046       | 6.5                | 44                     | 300                             | 320                  | 46                         | 760                     | 35             | 4000    |              |                  |          |                         |
|   | 52215       | 7                  | 44                     | 300                             | 340                  | 43                         | 420                     | 55             | 2700    |              |                  |          |                         |
|   | 52216       | 7                  | 45                     | 310                             | 350                  | 44                         | 430                     | 55             | 3000    |              |                  |          |                         |
|   | 52217       | 7                  | 52                     | 360                             | 400                  | 51                         | 480                     | 55             | 4000    |              |                  |          |                         |
|  <b>HIGH CRI &gt;95</b> | 52040       | 6                  | 33                     | TBC                             | 220                  | 37                         | 570                     | 30             | 2700    | ≥0.75        | 25,000           | Yes      | A                       |
|                         | 52041       | 8.5                | 38                     | 250                             | 310                  | 29                         | 720                     | 30             | 2700    | ≥0.85        | 25,000           | Yes      | A                       |
|                         | 52233       | 9                  | 66                     | 465                             | 500                  | 52                         | 2000                    | 25             | 3000    | ≥0.70        | 25,000           | Yes      | A                       |
|                         | 52234       |                    | 60                     | 390                             | 420                  | 53                         | 720                     |                | 2700    | ≥0.90        | 35,000           | Yes      | A                       |
|   | 52235       | 7.3                | 64                     | 420                             | 450                  | 58                         | 800                     | 36             | 3000    |              |                  |          |                         |
|   | 52236       |                    | 66                     | 440                             | 470                  | 60                         | 830                     |                | 4000    |              |                  |          |                         |


|  | Part Number | Actual Wattage (W) | Equivalent Wattage (W) | Luminous flux (lm) | Luminous efficiency (lm/W) | Beam angle (°) | CCT (K) | Power Factor | Lifetime (hours) | Dimmable | Energy Efficiency Class |     |   |
|--|-------------|--------------------|------------------------|--------------------|----------------------------|----------------|---------|--------------|------------------|----------|-------------------------|-----|---|
| <b>MR16</b> <b>Socket: GU5.3</b> <b>Voltage: 12V AC/DC</b> <b>CRI*: ≥80</b>        |             |                    |                        |                    |                            |                |         |              |                  |          |                         |     |   |
|  | 52043       | 6.5                | 26                     | 260                | 270                        | 40             | 550     | 35           | 2700             | ≥0.70    | 35,000                  | Yes | A |

|  | Part Number | Actual Wattage (W)   | Equivalent Wattage (W) | Functional Lumen 90° Cone**(lm) | Lumen 120° Cone (lm)      | Luminous efficiency (lm/W) | Luminous intensity (cd) | Beam angle (°)   | CCT (K) | Power Factor | Lifetime (hours) | Dimmable | Energy Efficiency Class |
|--|-------------|----------------------|------------------------|---------------------------------|---------------------------|----------------------------|-------------------------|------------------|---------|--------------|------------------|----------|-------------------------|
|    | 52044       | 6.5                  | 30                     | 300                             | 320                       | 46                         | 760                     | 35               | 4000    | ≥0.70        | 35,000           | Yes      | A                       |
|  | 52209       | 7                    | 34                     | 330                             | 380                       | 47                         | 420                     | 55               | 2700    | ≥0.75        | 25,000           |          |                         |
|  | 52210       | 7                    | 36                     | 360                             | 390                       | 51                         | 440                     | 55               | 3000    | ≥0.75        | 25,000           |          |                         |
|  | 52211       | 7                    | 37                     | 390                             | 420                       | 56                         | 460                     | 55               | 4000    | ≥0.75        | 25,000           |          |                         |
|  | 52212       | 6.5                  | 27                     | 270                             | 280                       | 42                         | 600                     | 35               | 3000    | ≥0.70        | 35,000           |          |                         |
|    | 52229       | 7                    | 40                     | 440                             | 460                       | 63                         | 2400                    | 25               | 2700    | ≥0.70        | 25,000           | Yes      | A                       |
|  | 52230       | 7                    | 42                     | 475                             | 500                       | 68                         | 2500                    |                  |         |              |                  |          |                         |
|    | 52240       | 7                    | 37                     | 375                             | 400                       | 54                         | 680                     | 40               | 2700    | ≥0.90        | 30,000           | Yes      | A                       |
|  | 52241       |                      | 37                     | 385                             | 410                       | 55                         | 700                     |                  | 3000    |              |                  |          |                         |
|  | 52242       |                      | 41                     | 450                             | 480                       | 64                         | 800                     |                  | 4000    |              |                  |          |                         |
| <b>AR111</b>   |             | <b>Socket: GU53</b>  |                        |                                 | <b>Voltage: 12V AC/DC</b> |                            |                         | <b>CRI*: ≥80</b> |         |              |                  |          |                         |
|    | 52048       | 14.5                 | 69                     | 670                             | 750                       | 46                         | 3500                    | 25               | 2700    | ≥0.80        | 25,000           | No       | A                       |
|  | 52201       |                      | 79                     | 760                             | 850                       | 52                         | 3900                    |                  | 4000    |              |                  |          |                         |
|  | 52202       |                      | 72                     | 715                             | 800                       | 49                         | 3700                    |                  | 3000    |              |                  |          |                         |
|    | 52203       | 15                   | 71                     | 690                             | 750                       | 46                         | 1600                    | 35               | 3000    | ≥0.95        | 25,000           | No       | A                       |
|  | 52204       |                      | 85                     | 800                             | 880                       | 53                         | 1950                    |                  | 4000    |              |                  |          |                         |
|  | 52205       |                      | 68                     | 660                             | 720                       | 44                         | 1500                    |                  | 2700    |              |                  |          |                         |
| <b>PAR20</b>   |             | <b>Socket: E27</b>   |                        |                                 | <b>Voltage: 220-240V</b>  |                            |                         | <b>CRI*: ≥80</b> |         |              |                  |          |                         |
|  | 52232       | 8                    | 49                     | 340                             | 380                       | 43                         | 900                     | 35               | 3000    | ≥0.86        | 35,000           | Yes      | A                       |
| <b>PAR30</b>   |             | <b>Socket: E27</b>   |                        |                                 | <b>Voltage: 220-240V</b>  |                            |                         | <b>CRI*: ≥80</b> |         |              |                  |          |                         |
|  | 52042       | 14.5                 | 71                     | 600                             | 680                       | 41                         | 1300                    | 30               | 4000    | ≥0.80        | 25,000           | Yes      | A                       |
| <b>PAR38</b>   |             | <b>Socket: E27</b>   |                        |                                 | <b>Voltage: 220-240V</b>  |                            |                         | <b>CRI*: ≥80</b> |         |              |                  |          |                         |
|  | 52033       | 19                   | 119                    | 1030                            | 1250                      | 54                         | 1200                    | 45               | 4500    | ≥0.90        | 25,000           | No       | A                       |
|  | IP54        |                      |                        |                                 |                           |                            |                         |                  |         |              |                  |          |                         |
|  | 52034       | 20                   | 128                    | 1100                            | 1200                      | 55                         | 6500                    | 22               | 3000    | ≥0.90        | 35,000           | Yes      | A                       |
| For exact colour, high quality LED Lighting <b>VXRGB</b>                           |             |                      |                        |                                 |                           |                            |                         |                  |         |              |                  |          |                         |
| <b>MR16</b>  |             | <b>Socket: GU5.3</b> |                        |                                 | <b>Voltage: 12V AC/DC</b> |                            |                         | <b>CRI*: ≥80</b> |         |              |                  |          |                         |
|  | 52224       | 6.5                  | 14                     | 155                             | 180                       | 28                         | 300                     | 36               | 2900    | ≥0.60        | 25,000           | Yes      | A                       |
| <b>Candle Classic B</b>  |             | <b>Socket: E14</b>   |                        |                                 | <b>Voltage: 220-240V</b>  |                            |                         | <b>CRI*: ≥80</b> |         |              |                  |          |                         |
|  | 52243       | 2.5                  | -                      | 50                              | 20                        | 100                        | 1900                    | ≥0.40            | 25,000  | No           |                  | B        |                         |

**Downlight Fittings** - Perfect fit for all Verbatim LED PAR16 GU10 lamps.

|  | Part Number    | Product Description  | Mounting Diameter   | Outer ring diameter   | Downlight Depth   |
|--|----------------|--|---|---|---|
|  | 52400<br>52401 | LED Downlight IP23<br>Twist lock white<br>Twist lock brushed aluminium |  |  |  |
|  | 52402<br>52403 | LED Downlight IP44<br>Twist lock white<br>Twist lock brushed aluminium |  |  |  |

**LED Transformer** - Electronic transformer for 12V LED lamp

|  | Part Number | Primary voltage range (V) | Frequency (Hz) | Input current (A) | Secondary voltage (V) | Lamp wattage (W) | Efficiency (%) | Power factor | Input capacitance (nF) | Dimming                           | Dimensions LxWxH (mm) | Weight (g) |
|--|-------------|---------------------------|----------------|-------------------|-----------------------|------------------|----------------|--------------|------------------------|-----------------------------------|-----------------------|------------|
|  | 52900       | 220-240                   | 50/60          | 0.29              | 11.5V AC              | 0-70             | >95            | >0.99        | 100                    | Leading and trailing edge dimmers | 113x44x28             | 80         |

\* CRI Colour Rendering Index

\*\* EU Regulation 1194, 2012 Eco Design Requirements state that only luminous flux within a 90° cone is used for the calculation of directional lamps lumen output. Light within the 90° cone is called functional or useful light, any light outside this cone is not considered useful in directional lighting.

